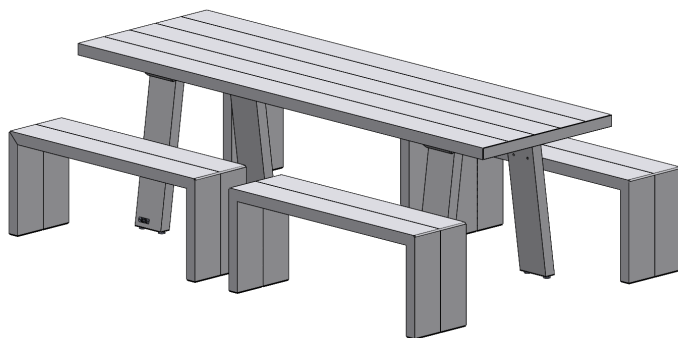


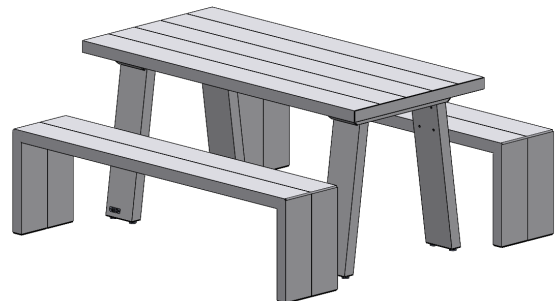
# Jennifer Newman | Trestle table and bench indoor/outdoor use

Table | Simple, quick assembly  
 Bench | All-welded, no assembly required



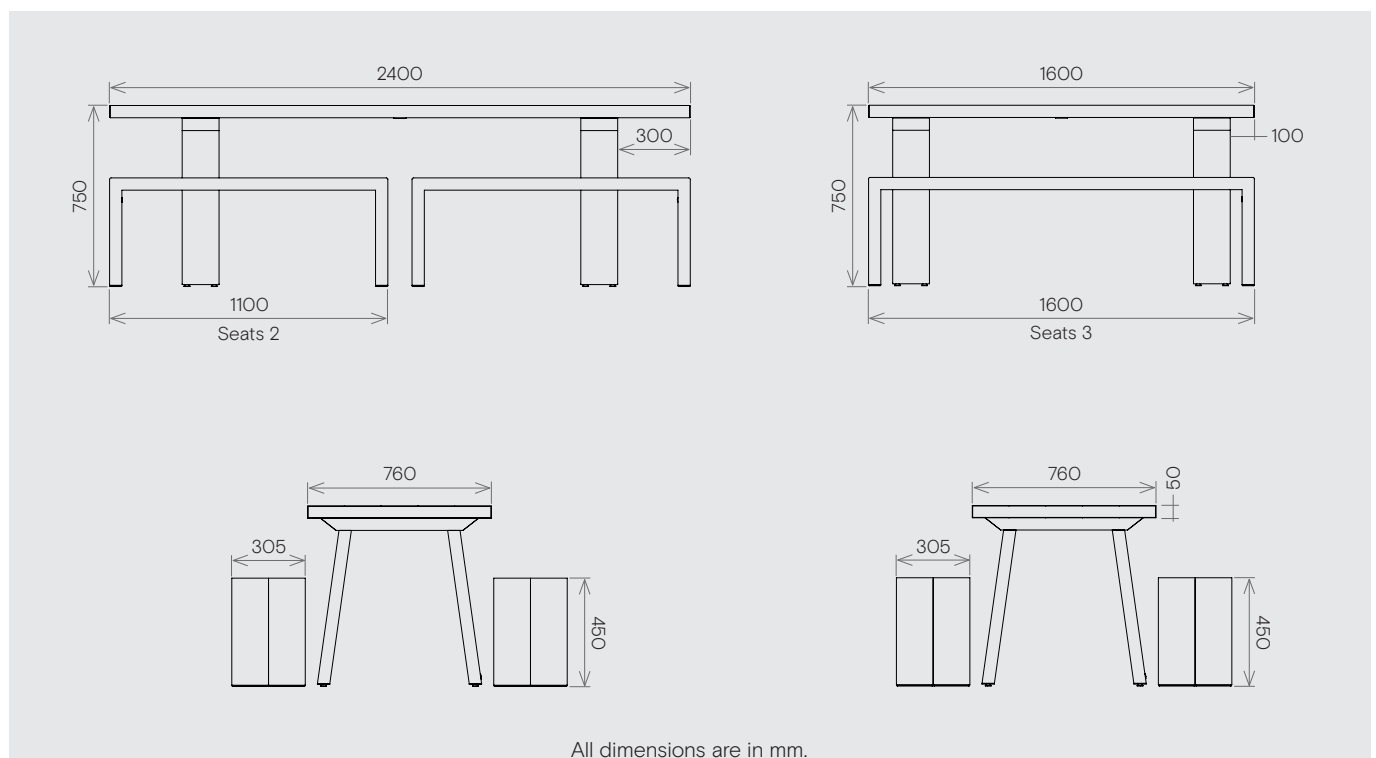
**Table (seats 8)**  
 2400w x 760d x 750h mm  
 Weight 70 kg

**Bench**  
 1100w x 305d x 450h mm  
 Weight 15 kg



**Table (seats 6)**  
 1600w x 760d x 750h mm  
 Weight 40 kg

**Bench**  
 1600w x 305d x 450h mm  
 Weight 20 kg



## Fine texture powder-coat finish providing:

- High resistance to wear-and-tear
- Low-glare reflection
- Long life durability
- Ease of cleaning
- Low maintenance
- Anti-bacterial and Volatile-Organic-Compound free.

## Other benefits and features:

- Aluminium for long-life, will not rust.
- Completely sealed construction.
- Withstands wind in exposed conditions.
- Bolt-down brackets available.
- 10 standard colours, others on request (see separate reference sheet).